

### Technical Specifications

#### HP LD5512 55-Inch Large Format Conferencing Display

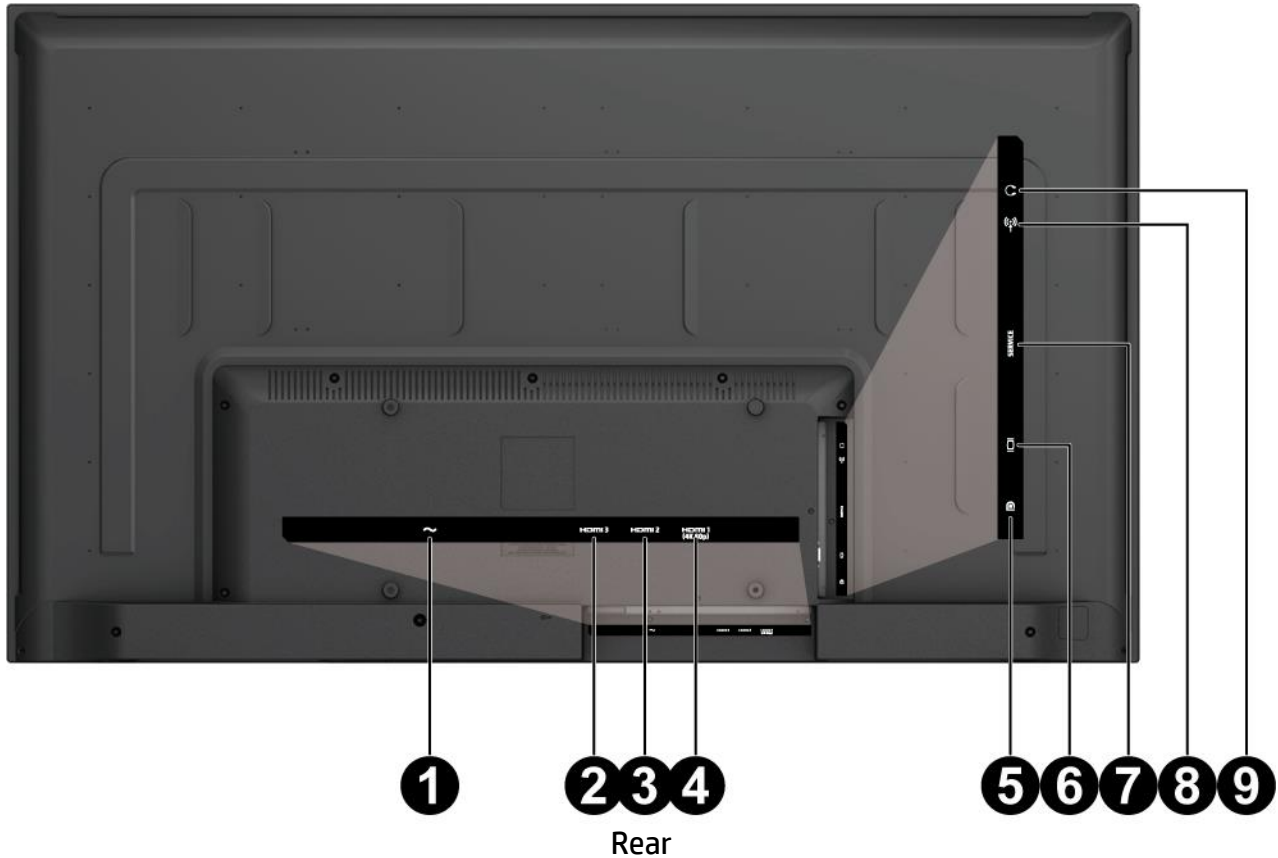


Front

- |   |                                |
|---|--------------------------------|
| 1. Menu / OK                              | 4. Next Input / Exit           |
| 2. Information or Auto Adjustment / Minus | 5. Power                       |
| 3. Viewing Modes / Plus                   | 6. LED Indicator / IR receiver |

### Technical Specifications

#### HP LD5512 55-Inch Large Format Conferencing Display



### Technical Specifications

**Model:** 2YD85AA

|   |  |   |
|---|--|---|
| <b>Panel Specifications*</b>  | <b>Display Size (Diagonal)</b>   | 55-inch   |
|   | <b>Display Panel Type</b>  | ADS   |
|   | <b>Native Resolution/Timing</b>  | 3840×2160 @ 60 Hz   |
|   | <b>NOTE:</b> DP 1.2 or HDMI 2.0 support native 3840 x 2160   |   |
|   | <b>Panel Bit Depth</b>   | 10-bit (8+2 FRC)  |
|   | <b>Aspect Ratio</b>  | 16:9  |
|   | <b>Brightness - Typical</b>  | 350cd/m <sup>2</sup> (Typ.)   |
|   | <b>Static Contrast Ratio - Typical</b>   | 1200:1  |
|   | <b>Static Contrast Ratio - Minimum</b>   | 1000:1  |
|   | <b>Dynamic Contrast Ratio (DCR)</b>  | 8,000,000:1 (Typ.)  |
|   | <b>NOTE:</b> Dynamic Contrast Ratios during video playback only, depending on series of frames or time duration. |   |
|   | <b>Pixel Pitch</b>   | 315(H)× 315 (V) um  |
|   | <b>Backlight Lamp Life (to half brightness - in hours)</b>   | 30,000 hours minimum  |
|   | <b>Anti-Glare Panel</b>  | Yes   |
|   | <b>Response Time – Typical</b>   | 8ms(Typ.) (GTG)   |
|   | <b>Horizontal Viewing Angle (typical CR&gt;10)</b>   | 178°  |
|   | <b>Vertical Viewing Angle (typical CR&gt;10)</b>   | 178°  |
|   | <b>Panel Active Area (w x h)</b>   | 1209.6(H) × 680.4(V)mm  |
|   | <b>Preset Graphic Modes/Supported Resolutions</b>  | 640x480@60Hz<br>720x400@70Hz<br>800x600@60Hz<br>1024x768@60Hz<br>1280x1024@60Hz<br>1440x900@60Hz<br>1600x900@60Hz<br>1920x1080@60Hz<br>1920x1200@60Hz<br>2560x1440@60Hz<br>2560x1600@60Hz<br>3840x2160@60Hz |
|   | <b>Maximum Resolution</b>  | 3840 × 2160 @ 60Hz  |
| <b>Recommended Resolution</b>   | 3840 × 2160 @ 60Hz   |   |
| <b>Vertical Scan Range</b>  | 24Hz - 60Hz  |   |
| <b>Horizontal Scan Range</b>  | 27kHz - 136kHz   |   |
| <b>Maximum Pixel Clock Speed</b>  | 600MHz   |   |
| <b>*All performance specifications represent the typical specifications provided by HP's component manufacturers; actual performance may vary either higher or lower.</b> |  |   |
| <b>Color Gamut Coverage</b>   | <b>NTSC</b>  | 72%   |
|   | <b>sRGB</b>  | 99%   |
| <b>Color Management</b>   | <b>Factory Color Presets</b>   | Native  |
|   | <b>Color Space / Subsampling Support</b>   | RGB 4.4,4   |
|   | <b>Default Color Temperature</b>   | Panel Native (11500K)   |
|   | <b>RGB Channel Adjust</b>  | Yes, Gain   |
| <b>Monitor Specifications</b>   | <b>Exterior Color of Monitor Bezel</b>   | Black   |
|   | <b>Plug &amp; Play</b>   | Yes   |
|   | <b>VESA Mounting</b>   | Yes, 400x200mm  |
|   | <b>Security Lock Ready</b>   | Yes   |

### Technical Specifications

|                                    |   |   |
|------------------------------------|---|---|
|                                    | <b>Warranty</b>   | 3/3/0   |
| <b>Multimedia</b>                  | <b>Speakers</b><br><b>Speakers Output Power</b>   | Yes, 2 pcs<br>6W  |
| <b>On Screen Display (OSD)</b>     | <b>On Screen Display User Controls</b>  | Brightness<br>Color Control<br>Input Control<br>Image Control<br>Audio Control<br>PIP Control<br>Power Control<br>Menu Control<br>Management<br>Information                   |
|                                    | <b>User Programmable Modes</b><br><b>Monitor Control Buttons or Switches</b>  | Yes, 20<br>Menu<br>Minus ("-")<br>Plus ("+")<br>Input Control<br>OK/Auto<br>Power   |
|                                    | <b>User-Assignable Function Buttons</b><br><b>Audio Controls</b><br><b>Languages</b>  | Yes, 3<br>Yes, Volume<br>10 (English, Spanish, German, French, Italian, Netherlands, Portuguese, Japanese, T-Chinese and S-Chinese)   |
| <b>Connector Types</b>             | <b>DisplayPort™</b><br><b>HDMI</b><br><b>VGA</b><br><b>HDCP Support</b>   | Yes, DisplayPort™ 1.2 x1 (3840x2160 @60Hz)<br>Yes, HDMI 2.0/HDCP2.2 x 1 + HDMI 1.4/HDCP1.4 x 2<br>Yes<br>Yes, HDMI 2.0/HDCP2.2 x 1 + HDMI 1.4/HDCP1.4 x 2 + DP1.2/HDCP1.3 x 1 |
|                                    | <b>Audio Output</b><br><b>Audio Input</b>   | Yes, Analog. speaker 6W+6W<br>Yes, Analog   |
| <b>USB Port Specifications</b>     | <b>USB Version</b>  | 2.0   |
|                                    | <b>Upstream Ports</b>   | 1 port, Service data input only.  |
| <b>Special Features</b>            | <b>Picture-in-Picture, Picture-by-Picture</b><br><b>User Updateable Firmware</b>  | Yes<br>Yes ( in service mode)   |
| <b>Power &amp; Operating Specs</b> | <b>Power Supply</b><br><b>Input Power</b><br><b>Power Consumption – Maximum</b><br><b>Energy Saving/Standby Mode</b><br><b>Power Consumption – Typical</b><br><b>Power cable length</b> | Internal<br>100 - 240 VAC 50/60 Hz<br>130 W<br>0.5 W<br>90 W<br>1.83 m  |
| <b>ENERGY STAR® Data</b>           | <b>Operational Mode at 100 VAC</b><br><b>Operational Mode at 115 VAC</b><br><b>Operational Mode at 230 VAC</b>  | 89.9W<br>89.3W<br>88.2W   |
| <b>Operating Conditions</b>        | <b>Operating Temperature - Celsius</b><br><b>Operating Temperature - Fahrenheit</b><br><b>Non-operating Temperature - Celsius</b>   | 0C to 40C<br>32F to 104F<br>-20C to 60C   |

### Technical Specifications

|  |   |  |  |
|--|---|--|--|
|  | <b>Non-operating Temperature - Fahrenheit</b>   | -4F to 140F  |  |
|  | <b>Operating Humidity</b>   | no higher than 80%   |  |
|  | <b>Non-operating Humidity</b>   | 0%~90%   |  |
|  | <b>Operating Altitude</b>   | 5000m  |  |
| <b>Environmental Features and Certifications</b> | <b>Mercury-free LED display backlighting</b>  | Yes  |  |
|  | <b>Agency Approvals and Certifications</b>  | CE/CB/KC/MSIP/e-standby/Bauart/ErP/MPRII/ICE/TUV-S/EAC/cTUVus/PSB/ISC/CCC/CEL/CECP/SEPA/GOST-R/SII/Energy Star/ISC/VCCI/FCC/BSMI/S-Mark/SASO/SABS/Mexico energy/Mexico CoC/PSE/C-tick/BIS/EU REACH/EU RoHS/Voluntary materials restrictions/WEEE |  |
| <b>Unit Product/Package Specifications</b>       | <b>Product Dimensions</b><br>Packaged Dimensions (W x D x H)  | <b>1385mm x 175mm x 829mm</b>  | 54.52 x 6.89 x 32.63 in                        |
|  | <b>Display Head Dimensions</b><br>Unpacked(W x D x H)   | <b>1241.6 mm x 69.9 mm x 721.2mm</b>   | 48.88 x 2.75 x 28.39 in                        |
|  | <b>Bezel Measurements</b>   | <b>Top 15.23mm</b><br><b>Side 16 mm</b><br><b>Bottom 23.04mm</b>   | Top 0.598 in<br>Side 0.63 in<br>Bottom 0.91 in |
|  | <b>Product Weight, Packed</b>   | <b>19.1 kg</b>   | 42.11 lb                                       |
|  | <b>Product Weight, Unpacked</b>   | <b>14 kg</b>   | 30.86 lb                                       |
| <b>What's in the box?</b>                        | <b>Documentation</b>  | Power cord, DP cable, HDMI cable, Remote controller, Warranty and Production notice  |  |
|  | <b>User Guide Languages</b>   | English, Arabic, S. Chinese, T. Chinese, Czech, Danish, Dutch, Finnish, French, German, Greek, Hungarian, Italian, Japanese, Kazakh, Korean, Norwegian, Polish, Brazilian Portuguese, Russian, Slovenian, Spanish, Swedish and Turkish.          |  |
| <b>Other</b>                                     | <b>Warranty Languages</b>   | English, Arabic, S. Chinese, T. Chinese, Czech, Danish, Dutch, Finnish, French, German, Greek, Hungarian, Italian, Japanese, Kazakh, Korean, Norwegian, Polish, Brazilian Portuguese, Russian, Slovenian, Spanish, Swedish and Turkish.          |  |
| <b>Service and Warranty</b>                      | Protected by HP, including a 3-year standard limited warranty. Optional HP Care Pack Services are extended service contracts that extend your protection beyond the standard warranties. <sup>1</sup> |  |  |

### Technical Specifications

#### ENVIRONMENTAL DATA

|  |   |                                     |                     |
|--|---|-------------------------------------|---------------------|
| <b>Eco-Label Certifications &amp; declarations</b>                         | This product has received or is in the process of being certified to the following approvals and may be labeled with one or more of these marks:<br>IT ECO declaration<br>US ENERGY STAR®<br>EPEAT® Gold registered in the United States. See <a href="http://www.epeat.net">http://www.epeat.net</a> for registration status in your country. Search keyword <i>generator</i> on HP's 3rd party option store for solar energy accessory at <a href="http://www.hp.com/go/options">http://www.hp.com/go/options</a> .   |                                     |                     |
| <b>Energy Consumption (in accordance with US ENERGY STAR® test method)</b> | <b>115VAC, 60Hz</b>   | <b>230VAC, 50Hz</b>                 | <b>100VAC, 50Hz</b> |
| Normal Operation   | 89.29 W   | 88.22 W                             | 89.90 W             |
| Sleep  | 0.36 W  | 0.47 W                              | 0.35 W              |
| Off  | N/A   | N/A                                 | N/A                 |
|  |   |                                     |                     |
| <b>Heat Dissipation*</b>   | <b>115VAC, 60Hz</b>   | <b>230VAC, 50Hz</b>                 | <b>100VAC, 50Hz</b> |
| Normal Operation   | 305 BTU/hr  | 302 BTU/hr                          | 307 BTU/hr          |
| Sleep  | 1 BTU/hr  | 2 BTU/hr                            | 1 BTU/hr            |
| Off  | N/A   | N/A                                 | N/A                 |
|  | *NOTE: Heat dissipation is calculated based on the measured watts, assuming the service level is attained for one hour.   |                                     |                     |
| <b>Additional Information</b>  | This product is in compliance with the Restrictions of Hazardous Substances (RoHS) directive - 2002/95/EC.<br>This HP product is designed to comply with the Waste Electrical and Electronic Equipment (WEEE) Directive – 2002/96/EC.<br>This product is in compliance with California Proposition 65 (State of California; Safe Drinking Water and Toxic Enforcement Act of 1986).<br>This product is in compliance with the IEEE 1680 (EPEAT) standard at the gold level, see <a href="http://www.epeat.net">www.epeat.net</a><br>Plastics parts weighing over 25 grams used in the product are marked per ISO 11469 and ISO1043.<br>This product contains 0% post-consumer recycled plastic (by wt.)<br>This product is 96.4% recycle-able when properly disposed of at end of life. |                                     |                     |
| <b>Packaging Materials</b>   | <b>External:</b>  | PAPER/Corrugated                    | 3430 g              |
|  |   | PAPER/Paper                         | 76 g                |
|  |   | PAPER/Paperboard                    | 286 g               |
|  | <b>Internal:</b>  | PLASTIC/Polyethylene Expanded – EPE | 544 g               |
|  |   | PLASTIC/Polystyrene Expanded - EPS  | 146 g               |
| <b>RoHS Compliance</b>   | HP, Inc. is committed to compliance with all applicable environmental laws and regulations, including the European Union Restriction of Hazardous Substances (RoHS) Directive. HP's goal is to exceed compliance obligations by meeting the requirements of the RoHS Directive on a worldwide basis. By July 1, 2006, RoHS substances will be virtually eliminated (virtually = to levels below legal limits) for all HP electronic products subject to the RoHS Directive, except where it is widely recognized that there is no technically feasible alternative (as indicated by an exemption under the EU RoHS Directive).  |                                     |                     |

### Technical Specifications

|  |  |
|--|--|
| <p><b>Material Usage</b></p>                       | <p>This product does not contain any of the following substances in excess of regulatory limits (refer to the HP General Specification for the Environment at <a href="http://www.hp.com/hpinfo/globalcitizenship/environment/pdf/gse.pdf">http://www.hp.com/hpinfo/globalcitizenship/environment/pdf/gse.pdf</a>):</p> <ul style="list-style-type: none"> <li>Asbestos</li> <li>Certain Azo Colorants</li> <li>Certain Brominated Flame Retardants – may not be used as flame retardants in plastics</li> <li>Cadmium</li> <li>Chlorinated Hydrocarbons</li> <li>Chlorinated Paraffins</li> <li>Formaldehyde</li> <li>Halogenated Diphenyl Methanes</li> <li>Lead carbonates and sulfates</li> <li>Lead and Lead compounds</li> <li>Mercuric Oxide Batteries</li> <li>Nickel – finishes must not be used on the external surface designed to be frequently handled or carried by the user.</li> <li>Ozone Depleting Substances</li> <li>Polybrominated Biphenyls (PBBs)</li> <li>Polybrominated Biphenyl Ethers (PBBEs)</li> <li>Polybrominated Biphenyl Oxides (PBBOs)</li> <li>Polychlorinated Biphenyl (PCB)</li> <li>Polychlorinated Terphenyls (PCT)</li> <li>Polyvinyl Chloride (PVC) – except for wires and cables, and certain retail packaging has been voluntarily removed from most applications.</li> <li>Radioactive Substances</li> <li>Tributyl Tin (TBT), Triphenyl Tin (TPT), Tributyl Tin Oxide (TBTO)</li> </ul> |
| <p><b>Packaging</b></p>                            | <p>HP follows these guidelines to decrease the environmental impact of product packaging:</p> <ul style="list-style-type: none"> <li>Eliminate the use of heavy metals such as lead, chromium, mercury and cadmium in packaging materials.</li> <li>Eliminate the use of ozone-depleting substances (ODS) in packaging materials.</li> <li>Design packaging materials for ease of disassembly.</li> <li>Maximize the use of post-consumer recycled content materials in packaging materials.</li> <li>Use readily recyclable packaging materials such as paper and corrugated materials.</li> <li>Reduce size and weight of packages to improve transportation fuel efficiency.</li> <li>Plastic packaging materials are marked according to ISO 11469 and DIN 6120 standards.</li> </ul>  |
| <p><b>End-of-life Management and Recycling</b></p> | <p>Hewlett-Packard offers end-of-life HP product return and recycling programs in many geographic areas. To recycle your product, please go to: <a href="http://www.hp.com/go/reuse-recycle">http://www.hp.com/go/reuse-recycle</a> or contact your nearest HP sales office. Products returned to HP will be recycled, recovered or disposed of in a responsible manner.</p> <p>The EU WEEE directive (2002/95/EC) requires manufacturers to provide treatment information for each product type for use by treatment facilities. This information (product disassembly instructions) is posted on the Hewlett Packard web site at: <a href="http://www.hp.com/go/recyclers">http://www.hp.com/go/recyclers</a>. These instructions may be used by recyclers and other WEEE treatment facilities as well as HP OEM customers who integrate and re-sell HP equipment.</p>   |

### Technical Specifications

|   |   |
|---|---|
|   |   |
| <b>HP, Inc. Corporate Environmental Information</b> | For more information about HP's commitment to the environment:<br><br>Global Citizenship Report<br><a href="http://www.hp.com/hpinfo/globalcitizenship/gcreport/index.html">http://www.hp.com/hpinfo/globalcitizenship/gcreport/index.html</a><br>Eco-label certifications<br><a href="http://www.hp.com/hpinfo/globalcitizenship/environment/productdesign/ecolabels.html">http://www.hp.com/hpinfo/globalcitizenship/environment/productdesign/ecolabels.html</a><br>ISO 14001 certificates:<br><a href="http://h20195.www2.hp.com/V2/GetDocument.aspx?docname=c04755842">http://h20195.www2.hp.com/V2/GetDocument.aspx?docname=c04755842</a><br>and<br><a href="http://www.hp.com/hpinfo/globalcitizenship/environment/pdf/cert.pdf">http://www.hp.com/hpinfo/globalcitizenship/environment/pdf/cert.pdf</a> |



### *Technical Specifications*

Copyright © 2018 HP Development Company, L.P.

The information contained herein is subject to change without notice. The only warranties for HP products are set forth in the express limited warranty statements accompanying such products. Nothing herein should be construed as constituting an additional warranty. HP shall not be liable for technical or editorial errors or omissions contained herein.

DisplayPort™ and the DisplayPort™ logo are trademarks owned by the Video Electronics Standards Association (VESA®) in the United States and other countries.

ENERGY STAR® is a registered trademark owned by the U.S. Environmental Protection Agency.

1. Care Packs are sold separately. Service levels and response times for HP Care Pack Services may vary depending on your geographic location. Service starts on date of hardware purchase. Restrictions and limitations apply. See <http://www.hp.com/go/cpc> for details.

HP services are governed by the applicable HP terms and conditions of service provided or indicated to Customer at the time of purchase. Customer may have additional statutory rights according to applicable local laws, and such rights are not in any way affected by the HP terms and conditions of service or the HP Limited Warranty provided with your HP Product.

### Technical Specifications

| <b>Change Log</b> |                          |
|-------------------|--------------------------|
| February 23, 2018 | V1 to V2                 |
|                   | Environmental data added |
|                   |                          |
|                   |                          |
|                   |                          |
|                   |                          |
|                   |                          |
|                   |                          |
|                   |                          |
|                   |                          |
|                   |                          |
|                   |                          |
|                   |                          |
|                   |                          |
|                   |                          |
|                   |                          |
|                   |                          |
|                   |                          |
|                   |                          |
|                   |                          |