

Product Description

The APC™ by Schneider Electric Smart-UPS™ is a high performance uninterruptible power supply (UPS). The UPS provides protection for electronic equipment from utility power blackouts, brownouts, sags, and surges, small utility power fluctuations and large disturbances. The UPS also provides battery backup power for connected equipment until utility power returns to safe levels or the batteries are fully discharged.

This user manual is available on the enclosed CD and on the APC by Schneider Electric Web site, www.apc.com.

Important Safety Messages



The addition of this symbol to a Caution product safety label indicates that a hazard exists that can result in injury and product damage if the instructions are not followed.

The following safety messages may appear throughout this manual to warn of potential hazards.

 CAUTION
CAUTION indicates a potentially hazardous situation which, if not avoided, can result in equipment damage and minor or moderate injury.

CAUTION
CAUTION indicates a potentially hazardous situation which, if not avoided, can result in equipment damage.

Safety and General Information

Inspect the package contents upon receipt. Notify the carrier and dealer if there is any damage.

Read the Safety Guide supplied with this unit before installing the UPS.

- Adhere to all national and local electrical codes.
- This UPS is intended for indoor use only.
- Do not operate this UPS in direct sunlight, in contact with fluids, or where there is excessive dust or humidity.
- Be sure the air vents on the UPS are not blocked. Allow adequate space for proper ventilation.
- The battery typically lasts for three to five years. Environmental factors impact battery life. Elevated ambient temperatures, poor quality utility power, and frequent short duration discharges will shorten battery life.
- Connect the UPS power cable directly to a wall outlet. Do not use surge protectors or extension cords.
- The batteries are heavy. Remove the batteries prior to installing the UPS in a rack.

Specifications

For additional specifications, refer to the APC by Schneider Electric Web site at www.apc.com.

	UPS + Battery Pack	Battery Pack
Weight Specifications	24 kg (53 lb)	10.5 kg (23 lb)
Temperature	Operating	0° to 40° C (32° to 104° F)
	Storage	-15° to 45° C (5° to 113° F) charge UPS battery every six months
Maximum Elevation	Operating	3,000 m (10,000 ft)
	Storage	15,000 m (50,000 ft)
Humidity	0% to 95% relative humidity, non-condensing	0° to 40° C (32° to 104° F)
	Maintenance free, sealed lead acid	
Battery	UPS model	Replacement Battery Pack
	SMT1200RMJ1U	APCRBC88J
	SMT1500RM1U	APCRBC88
	SMT1500RMI1U	APCRBC88

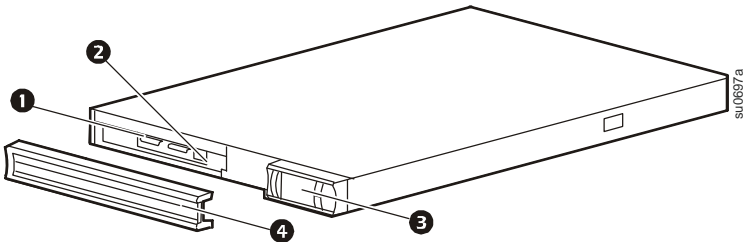


Replace used batteries with APC by Schneider Electric approved batteries.
To order a replacement battery go to the APC by Schneider Electric Web site, www.apc.com.
Always recycle used batteries.
For information on recycling a used battery, refer to the Battery Disposal Information sheet included with the replacement battery.

Product Overview

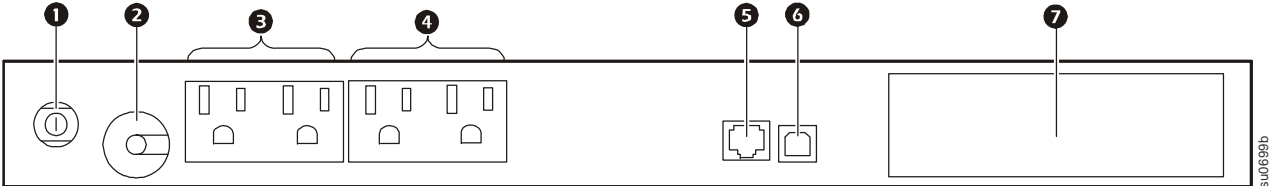
Front panel features

- ❶ Battery
- ❷ Battery connector
- ❸ Display interface
- ❹ Bezel

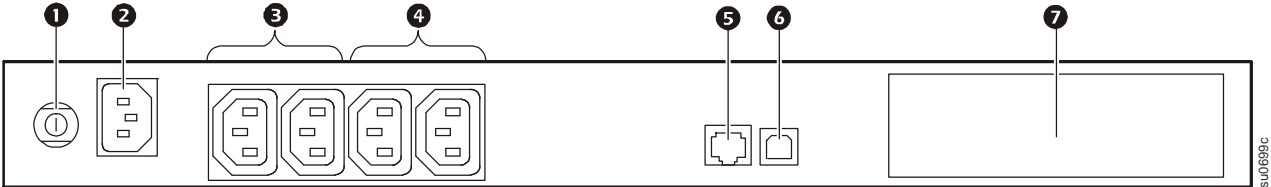


Rear panel features

1200/1500 VA 100/120 Vac



1500 VA 230 Vac



- ❶ Circuit breaker/Overload protection
- ❷ UPS input
- ❸ Controlled outlet group 1
- ❹ Controlled outlet group 2
- ❺ RJ45 connector - serial UPS monitoring port
- ❻ USB port
- ❼ SmartSlot for optional accessory card

Installation

For UPS installation information, refer to the Smart-UPS 1200/1500 VA 100/120/230 Vac Rack-Mount 1U Installation Guide that is included with the UPS. The Installation Guide is also available on the Documentation CD included with the UPS and on the APC by Schneider Electric Web site, www.apc.com.

Operation

Connect Equipment

CAUTION

RISK OF EQUIPMENT DAMAGE

- Adhere to all local and national electrical codes.
- Wiring should be performed by qualified electrician.
- Always connect the UPS to a grounded outlet.

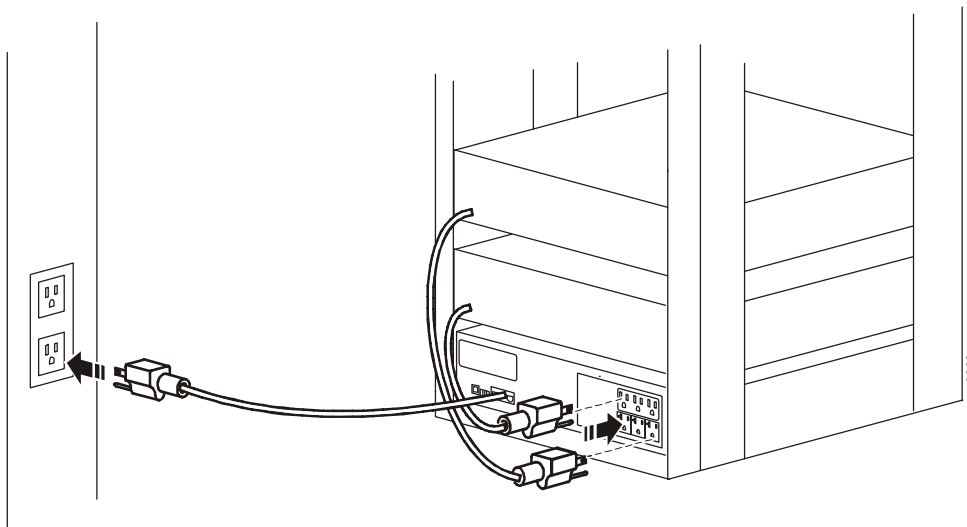
Failure to follow these instructions can result in equipment damage



Note: The UPS will charge to 90% capacity in the first three hours of normal operation. **Do not expect full battery runtime capability during this initial charge period.**

1. Connect equipment to the outlets on the rear panel of the UPS.
2. Connect the UPS to the building utility power. **Connect the UPS to a two pole, three wire, grounded source only.**
3. To use the UPS as a MASTER ON/OFF switch, turn on equipment that is connected to the UPS.
4. To turn on the UPS and all connected equipment press the ON/OFF button on the front panel of the UPS.
5. Refer to “Switched Outlet Groups” on page 10 for information on switched outlet group configuration.

Outlet type and location may vary.



Rear panel features



Serial port: Connect a computer to use power management software.

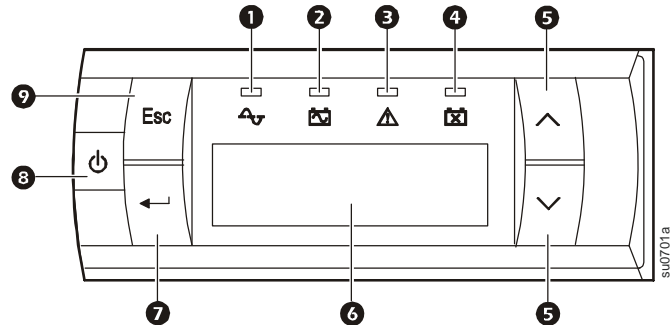


USB port: Connect a computer to use power management software.

Display Panel

Overview

- ❶ Online LED
- ❷ On Battery LED
- ❸ Fault LED
- ❹ Replace Battery LED
- ❺ UP/DOWN arrow buttons
- ❻ Display screen
- ❼ ENTER button
- ❽ UPS ON/OFF button
- ❾ ESCAPE button



Display interface operation

Press either the ESC or ENTER buttons to access the main menu.

Use the UP/DOWN arrow buttons to scroll through menu options.

Press ENTER to view sub menus. Scroll through the list of options. Press ENTER to select an option.

Press ESCAPE to exit a sub menu and return to a main menu.

Menu overview

The display interface has Standard and Advanced menu screens. The preference for Standard or Advanced menu options is made during initial installation and can be changed at any time using the Configuration menu.

Standard menus are the most commonly used menus. The default screen shows Load and Battery Capacity bar graphs.

The Advanced menus include more status information and additional sub menus. The default screen shows scrolling status information.



Note: Actual menu screens may differ by model and firmware revision.

Main Menu	Display Description	Standard Option	Advanced Option
Status * Advanced menu Status items displayed as scrolling information	Operating mode*	x	x
	Efficiency	x	x
	Load power (W)*	x	x
	Load power (VA)*	x	x
	Load amperage		x
	Load energy meter		x
	Battery charge state%	x	x
	Battery runtime*	x	x
	Battery voltage	x	x
	Battery temperature		x
	Input voltage and frequency*	x	x
	Output voltage and frequency*	x	x
	Last transfer reason*	x	x
	Last UPS self test result	x	x
	Outlet group status*		x
NMC IP address (if applicable)		x	
Control	UPS control		x
	Outlet Group control		x
Configuration	Language	x	x
	Output voltage setting (if applicable)		x
	Power quality	x	x
	Menu type	x	x
	Audible alarms	x	x
	Display mode	x	x
	Sensitivity		x
	Low voltage transfer points		x
	High voltage transfer points		x
	Low battery warning threshold		x
	Automatic self test interval		x
	Battery install date	x	x
	Reset energy meter		x
	Enter set-up wizard		x
	Perform firmware update (UPS output must be off)		x
	Reset to factory defaults	x	x
	Outlet group configuration		x
	NMC configuration (if applicable)		x
Test & Diagnostics	UPS self test	x	x
	UPS alarms test	x	x
	UPS calibration test	x	x

Main Menu	Display Description	Standard Option	Advanced Option
Logs	Last 10 transfer events (if applicable)		x
	Last 10 fault events (if applicable)		x
About	Model identification	x	x
	Part number	x	x
	Serial number	x	x
	UPS manufacture date	x	x
	Replace battery part number	x	x
	Battery install date	x	x
	Replace battery date	x	x
	UPS firmware revision	x	x
	NMC Information - part/serial/version numbers/manufacture date/MAC address/ firmware revision (if applicable)		x

Configuration

UPS Settings

Start up settings

At initial start up use the Setup Wizard to configure the following settings.

Function	Factory Default	Options	Description
Language	English	<ul style="list-style-type: none">• English• French• German• Spanish• Italian• Portuguese• Japanese	The language for the display interface. Language options will vary by model.
Output Voltage <i>230 Vac models only</i>	230 Vac	<ul style="list-style-type: none">• 220 Vac• 230 Vac• 240 Vac	UPS output must be off to configure this setting.
Local Power Quality	Good	<ul style="list-style-type: none">• Good• Fair• Poor	Select the desired utility input power quality. <ul style="list-style-type: none">• Good: The UPS will go on battery power more often to provide the cleanest power supply to connected equipment.• Fair: The UPS will tolerate some voltage fluctuations before switching to battery power.• Poor: The UPS will tolerate more voltage fluctuations and will go on battery power less often. The Power Quality setting will automatically change the high and low transfer points and the transfer sensitivity setting.
Menu Type	Standard	<ul style="list-style-type: none">• Standard• Advanced	The Advanced menus include all parameters. The Standard menus display a limited set of menus and options.
Date	UPS manufacture date + 90 days	mm-yyyy	At initial start up, enter the current date.

General settings

Configure these settings at any time, using the display interface or PowerChute™ software.

Function	Factory Default	Options	Description
High Transfer Point	100 Vac models: 108 Vac 120 Vac models: 127 Vac 230 Vac models: 253 Vac	100 Vac models: 108-114 Vac 120 Vac models: 127-136 Vac 230 Vac models: 242-276 Vac	To avoid unnecessary battery usage, the high and low transfer points can be adjusted. <ul style="list-style-type: none"> Set the transfer point higher if the AC voltage is chronically high. Set the transfer point lower if the AC voltage is chronically low.
Low Transfer Point	100 Vac models: 92 Vac 120 Vac models: 106 Vac 230 Vac models: 207 Vac	100 Vac models: 86-92 Vac 120 Vac models: 97-106 Vac 230 Vac models: 186-216 Vac	When the Power Quality setting is changed the high and low transfer points will automatically be adjusted. <i>230 Vac models only:</i> The transfer point options will change based on the output voltage setting.
Transfer Sensitivity	Normal	<ul style="list-style-type: none"> Normal Reduced Low 	Set the sensitivity to a level that is appropriate for the connected equipment. <ul style="list-style-type: none"> Normal: The UPS will go on battery power more often to provide the cleanest power supply to the connected equipment. Reduced: The UPS will tolerate some voltage fluctuations before switching to battery power. Low: The UPS will tolerate more voltage fluctuations and will go on battery power less often. When the Power Quality setting is changed the transfer sensitivity will automatically be adjusted.
Low Runtime Warning	120 sec	Value set in seconds	The UPS will emit an audible alarm when the remaining runtime has reached this level.
Date of Last Battery Replacement	Date set at factory	Reset this date when the battery module is replaced.	
Audible Alarm	On	<ul style="list-style-type: none"> On Off 	The UPS will mute all audible alarms if this is set to Off or when any of the display buttons are pressed.
Display Mode	Auto Dim	<ul style="list-style-type: none"> Always On Auto Dim Auto Off 	<ul style="list-style-type: none"> The display interface remains continuously illuminated. The display interface illumination will diminish after two minutes of inactivity. The display interface illumination will extinguish after two minutes of inactivity.
Auto Self-Test Interval	On start up and 14 days after each self-test.	<ul style="list-style-type: none"> Last test + 14 days Last test + 7 days Start up+ 14 days Start up + 7 days On start up only Never 	<p>The interval at which the UPS will execute a self-test.</p> <p>The batteries must be charged to at least 70% capacity to perform a self-test.</p> <p>“Start up” on these menus refers to any time the UPS is turned on.</p>
Reset to Factory Default	No	<ul style="list-style-type: none"> Yes No 	Restore the UPS factory default settings.

Switched Outlet Groups

Overview

The UPS has two Switched Outlet Groups. Each can be configured to independently perform the following actions:

- Turn off: Disconnect from power immediately and restart only with a manual command.
- Turn on: Connect to power immediately.
- Shutdown: Disconnect power, and automatically reapply power when utility power becomes available.
- Reboot: Shut down and restart.
- Turn on or off in a specified sequence.
- Automatically turn off or shut down when various conditions occur.



Note: If the Switched Outlet Groups are not configured, all of the outlets on the unit will provide battery backup power.

Configure the Switched Outlet Groups

1. Connect equipment to the Switched Outlet Groups.
 - Nonessential equipment that should shut off quickly in the event of a power outage to conserve battery runtime can be added to a short power off delay.
 - If equipment has dependent peripherals that must restart or shut down in a specific order, such as an ethernet switch that must restart before a connected server, connect the devices to separate groups.
 - Equipment that needs to reboot independently from other equipment should be added to a separate group.
2. Use the Configuration menus to configure how the Switched Outlet Group will react in the event of a power outage.

Customize Switched Outlet Groups

Use the **Configuration** menu to change the Switched Outlet Group settings.

Function	Factory Default	Options	Description
Turn On Delay	0 sec	Set the value in seconds	The amount of time the UPS or Switched Outlet Group will wait between receiving the command to turn on and the actual startup.
Turn Off Delay	90 sec	Set the value in seconds	The amount of time that the UPS or Switched Outlet Group will wait between receiving the command to turn off and the actual shut down.
Reboot Duration	8 sec	Set the value in seconds	The amount of time that the UPS or Switched Outlet Group must remain off before it will restart.
Minimum Return Run Time	0 sec	Set the value in seconds	The amount of battery runtime that must be available before the UPS or Switched Outlet Group will turn on.
Load Shed Time On Battery	Disabled	<ul style="list-style-type: none"> • Enable • Disable 	When the unit switches to battery power, the UPS can disconnect power to the Switched Outlet Group to save runtime.
Load Shed Time On Battery	1800 sec	Set the value in seconds	The amount of time the Switched Outlet Group will continue function after the UPS begins operating on battery.
Load Shed Runtime Remain	Disabled	<ul style="list-style-type: none"> • Enable • Disable 	When the battery runtime falls below the specified value, the Switched Outlet Group will turn off.
Load Shed Runtime Remain	120 sec	Set the value in seconds	Remaining runtime required for the outlets to stay on.
Load Shed on Overload	Disabled	<ul style="list-style-type: none"> • Enable • Disable 	In the event of an overload (greater than 100% output), the Switched Outlet Group will immediately turn off to conserve power for critical loads. The Switched Outlet Group will only turn on again with a manual command.

Troubleshooting

Problem and Possible Cause	Solution
-----------------------------------	-----------------

The UPS will not turn on or there is no output

The UPS has not been turned on.	Press the ON button once to turn on the UPS.
The UPS is not connected to utility power.	Ensure that the power cable is securely connected to the unit and to the utility power supply.
The input circuit breaker has tripped.	Reduce the load to the UPS, disconnect nonessential equipment and reset the circuit breaker.
The unit shows very low or no input utility voltage.	Check the utility power supply to the UPS by plugging in a table lamp. If the light is very dim, check the utility voltage.
There is an internal UPS fault.	Do not attempt to use the UPS. Unplug the UPS and have it serviced immediately.

The UPS is operating on battery, while connected to utility power

The input circuit breaker has tripped.	Reduce the load to the UPS, disconnect nonessential equipment and reset the circuit breaker.
There is very high, very low, or distorted input line voltage.	Move the UPS to a different outlet on a different circuit. Test the input voltage with the utility voltage display. If acceptable to the connected equipment, reduce the UPS sensitivity.

The UPS is beeping

The UPS is in normal operation.	None. The UPS is protecting the connected equipment.
---------------------------------	--

UPS does not provide expected backup time

The UPS battery is weak due to a recent outage or is near the end of its service life.	Charge the battery. Batteries require recharging after extended outages and wear out faster when put into service often or when operated at elevated temperatures. If the battery is near the end of its service life, consider replacing the battery even if the replace battery indicator is not yet illuminated.
The UPS is experiencing an overload condition.	Check the UPS load display. Unplug unnecessary equipment, such as printers.

Display interface LEDs flash sequentially

The UPS has been shut down remotely through software or an optional accessory card.	None. The UPS will restart automatically when AC power returns.
---	---

The Fault LED is illuminated, the UPS displays a fault message and emits a constant beeping

Internal UPS fault.	Do not attempt to use the UPS. Turn the UPS off and have it serviced immediately.
---------------------	---

The replace battery LED is illuminated

The battery has a weak charge.	Allow the battery to recharge for at least four hours. Then, perform a Self-Test. If the problem persists after recharging, replace the battery.
The replacement battery is not properly connected.	Ensure that the battery connector is securely connected.

Service

If the unit requires service, do not return it to the dealer. Follow these steps:

1. Review the *Troubleshooting* section of the manual to eliminate common problems.
2. If the problem persists, contact APC by Schneider Electric Customer Support through the APC by Schneider Electric Web site, www.apc.com.
 - a. Note the model number and serial number and the date of purchase. The model and serial numbers are located on the rear panel of the unit and are available through the LCD display on select models.
 - b. Call APC by Schneider Electric Customer Support and a technician will attempt to solve the problem over the phone. If this is not possible, the technician will issue a Returned Material Authorization Number (RMA#).
 - c. If the unit is under warranty, the repairs are free.
 - d. Service procedures and returns may vary internationally. Refer to the APC by Schneider Electric Web site for country specific instructions.
3. Pack the unit in the original packaging whenever possible to avoid damage in transit. Never use foam beads for packaging. Damage sustained in transit is not covered under warranty.
 - a. **Always DISCONNECT THE UPS BATTERIES before shipping. The United States Department of Transportation (DOT), and the International Air Transport Association (IATA) regulations require that UPS batteries be disconnected before shipping.** The internal batteries may remain in the UPS.
 - b. External Battery Pack products are deenergized when disconnected from the associated UPS product. It is not necessary to disconnect the internal batteries for shipping. Not all units utilize an external battery pack.
4. Write the RMA# provided by Customer Support on the outside of the package.
5. Return the unit by insured, prepaid carrier to the address provided by Customer Support.

Transport the unit

1. Shut down and disconnect all connected equipment.
2. Disconnect the unit from utility power.
3. Disconnect all internal and external batteries (if applicable).
4. Follow the shipping instructions outlined in the *Service* section of this manual.

Two Year Limited Factory Warranty

This warranty applies only to the products you purchase for your use in accordance with this manual.

Terms of warranty

Schneider Electric IT (SEIT) warrants its products to be free from defects in materials and workmanship for a period of two years from the date of purchase. SEIT will repair or replace defective products covered by this warranty. This warranty does not apply to equipment that has been damaged by accident, negligence or misapplication or has been altered or modified in any way. Repair or replacement of a defective product or part thereof does not extend the original warranty period. Any parts furnished under this warranty may be new or factory remanufactured. For country specific warranty information, refer to the APC by Schneider Electric Web site at www.apc.com.

Non-transferable warranty

This warranty extends only to the original purchaser who must have properly registered the product. The product may be registered at the APC by Schneider Electric Web site, www.apc.com.

Exclusions

SEIT shall not be liable under the warranty if its testing and examination disclose that the alleged defect in the product does not exist or was caused by end user's or any third person's misuse, negligence, improper installation or testing. Further, SEIT shall not be liable under the warranty for unauthorized attempts to repair or modify wrong or inadequate electrical voltage or connection, inappropriate on site operation conditions, corrosive atmosphere, repair, installation, exposure to the elements, Acts of God, fire, theft, or installation contrary to SEIT recommendations or specifications or in any event if the SEIT serial number has been altered, defaced, or removed, or any other cause beyond the range of the intended use.

THERE ARE NO WARRANTIES, EXPRESS OR IMPLIED, BY OPERATION OF LAW OR OTHERWISE, OF PRODUCTS SOLD, SERVICED OR FURNISHED UNDER THIS AGREEMENT OR IN CONNECTION HERewith. SEIT DISCLAIMS ALL IMPLIED WARRANTIES OF MERCHANTABILITY, SATISFACTION AND FITNESS FOR A PARTICULAR PURPOSE. SEIT EXPRESS WARRANTIES WILL NOT BE ENLARGED, DIMINISHED, OR AFFECTED BY AND NO OBLIGATION OR LIABILITY WILL ARISE OUT OF, SEIT RENDERING OF TECHNICAL OR OTHER ADVICE OR SERVICE IN CONNECTION WITH THE PRODUCTS. THE FOREGOING WARRANTIES AND REMEDIES ARE EXCLUSIVE AND IN LIEU OF ALL OTHER WARRANTIES AND REMEDIES. THE WARRANTIES SET FORTH ABOVE CONSTITUTE SEIT'S SOLE LIABILITY AND PURCHASER'S EXCLUSIVE REMEDY FOR ANY BREACH OF SUCH WARRANTIES. SEIT WARRANTIES EXTEND ONLY TO PURCHASER AND ARE NOT EXTENDED TO ANY THIRD PARTIES.

IN NO EVENT SHALL SEIT, ITS OFFICERS, DIRECTORS, AFFILIATES OR EMPLOYEES BE LIABLE FOR ANY FORM OF INDIRECT, SPECIAL, CONSEQUENTIAL OR PUNITIVE DAMAGES, ARISING OUT OF THE USE, SERVICE OR INSTALLATION, OF THE PRODUCTS, WHETHER SUCH DAMAGES ARISE IN CONTRACT OR TORT, IRRESPECTIVE OF FAULT, NEGLIGENCE OR STRICT LIABILITY OR WHETHER SEIT HAS BEEN ADVISED IN ADVANCE OF THE POSSIBILITY OF SUCH DAMAGES. SPECIFICALLY, SEIT IS NOT LIABLE FOR ANY COSTS, SUCH AS LOST PROFITS OR REVENUE, LOSS OF EQUIPMENT, LOSS OF USE OF EQUIPMENT, LOSS OF SOFTWARE, LOSS OF DATA, COSTS OF SUBSTITUENTS, CLAIMS BY THIRD PARTIES, OR OTHERWISE.

NO SALESMAN, EMPLOYEE OR AGENT OF SEIT IS AUTHORIZED TO ADD TO OR VARY THE TERMS OF THIS WARRANTY. WARRANTY TERMS MAY BE MODIFIED, IF AT ALL, ONLY IN WRITING SIGNED BY AN SEIT OFFICER AND LEGAL DEPARTMENT.

Warranty claims

Customers with warranty claims issues may access the SEIT customer support network through the Support page of the APC by Schneider Electric Web site, www.apc.com/support. Select your country from the country selection drop down menu at the top of the Web page. Select the Support tab to obtain contact information for customer support in your region.